

## Ball bearing for high temperature

### BHTS ZZ 280°

The BHTS ZZ 280° ball bearings are designed on the dimensions of a standard bearing but with treatments of stabilisation, surface treatment, radial clearance, grease and special shield that make them suitable for operation from -30° to +280°. Their recommended range of application is between 200° and 280° where these bearings achieve their best performance. Below 200° there are the BHTS ZZ 200° bearings available, which are cheaper and also allow a much higher rotational speed. The BHTS ZZ 280° bearings are currently available in approximately 200 different models, all of which, are in stock and able to cover most of the requirements for bearings of high temperatures.

#### Technical characteristics:

Material Steel AISI 52100 (Chrome) stabilized to the application

Treatment of manganese phosphate coating on all steel parts

Radial 4 times C5

Shield ZZ

Greasing with PTFE based grease-free silicone for temperatures up to 280° (with a drop point above 400°)

#### Fields of application:

Paint Ovens

Steel Industry

Furnaces for Ceramic Industry

Trolley Industry Brick Kilns

## Ball bearing for high temperature

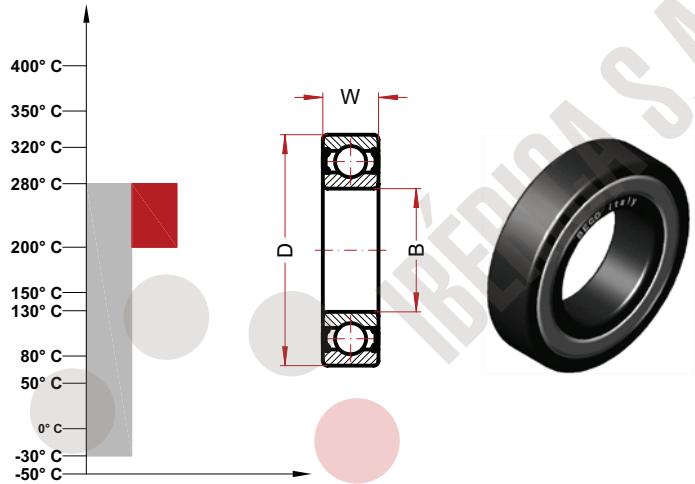
### BHTS ZZ 280° (MICRO Serie)

MAX TEMP CELSIUS 280° C

MAX TEMP FAHRENHEIT 535° F

SUGGESTED RANGE 200-280° C

SUGGESTED RANGE 392-535° F



Designation	Bore (B)	Diam (D)	Widht (W)	Weight g	Speed RPM/min (*)	Static Load kN
613/3 BHTS ZZ 280°	3	8	3	1.5	2300	
623 BHTS ZZ 280°	3	10	4	3	2300	0.16
604 BHTS ZZ 280°	4	12	4	3	2300	0.29
624 BHTS ZZ 280°	4	13	5	3	2300	0.29
606 BHTS ZZ 280°	5	14	5	4	2300	0.35
625 BHTS ZZ 280°	5	16	5	5	2300	0.35
606 BHTS ZZ 280°	6	17	6	7	2300	0.72
626 BHTS ZZ 280°	6	19	6	8	2300	0.72
607 BHTS ZZ 280°	7	19	6	8	2300	0.72
627 BHTS ZZ 280°	7	22	7	13	2200	0.93
608 BHTS ZZ 280°	8	22	7	13	2100	0.93
628 BHTS ZZ 280°	8	24	8	14	2000	0.93
609 BHTS ZZ 280°	9	24	7	15	1900	1.11
629 BHTS ZZ 280°	9	26	8	20	1800	1.33

Static load and max speed are calculated for the maximum temperature of application we supply this technical information only for help customer in the choice. Due the extremely difference in the condition of application. We suggest to the customer to contact our engineering service and made pratical test for check in the real condition the pratical working.

## Ball bearing for high temperature

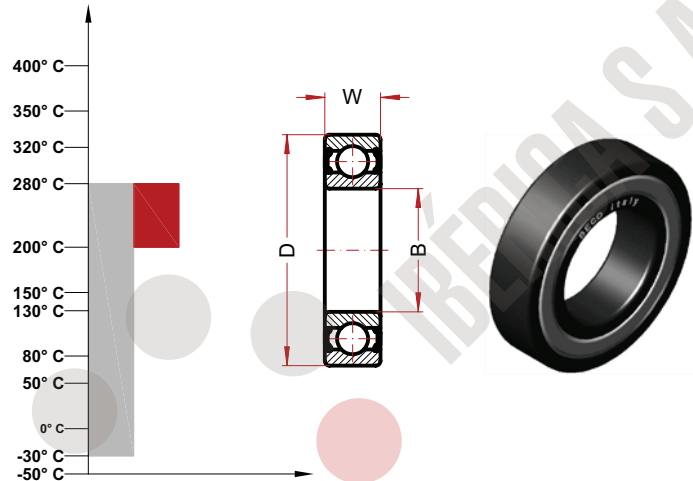
### BHTS ZZ 280° (61800 Serie)

MAX TEMP CELSIUS 280° C

MAX TEMP FAHRENHEIT 535° F

SUGGESTED RANGE 200-280° C

SUGGESTED RANGE 392-535° F



Designation	Bore (B)	Diam (D)	Widht (W)	Weight g	Speed RPM/min (*)	Static Load kN
61800 BHTS ZZ 280°	10	19	5	5.6	2240	0.56
61801 BHTS ZZ 280°	12	21	5	6.5	2080	0.65
61802 BHTS ZZ 280°	15	24	5	7.6	1920	0.85
61803 BHTS ZZ 280°	17	26	5	8.2	1760	0.99
61804 BHTS ZZ 280°	20	32	7	18	1600	1.59
61805 BHTS ZZ 280°	25	37	7	24	1360	1.90
61806 BHTS ZZ 280°	30	42	7	27	1040	2.28
61807 BHTS ZZ 280°	35	47	7	32	880	2.45
61808 BHTS ZZ 280°	40	52	7	35	800	2.90
61809 BHTS ZZ 280°	45	58	7	42	720	3.81
61810 BHTS ZZ 280°	50	65	7	52	680	4.28
61811 BHTS ZZ 280°	55	72	9	81	600	5.78
61812 BHTS ZZ 280°	60	78	10	105	560	7.48
61813 BHTS ZZ 280°	65	85	10	124	504	8.16
61814 BHTS ZZ 280°	70	90	10	133	480	8.50
61815 BHTS ZZ 280°	75	95	10	143	448	9.11
61816 BHTS ZZ 280°	80	100	10	150	400	
61817 BHTS ZZ 280°	85	110	13	270	390	
61818 BHTS ZZ 280°	90	115	13	280	360	
61819 BHTS ZZ 280°	95	120	13	300	340	
61820 BHTS ZZ 280°	100	125	13	310	300	

Static load and max speed are calculated for the maximum temperature of application we supply this technical information only for help customer in the choice. Due the extremely difference in the condition of application. We suggest to the customer to contact our engineering service and made pratical test for check in the real condition the pratical working.

## Ball bearing for high temperature

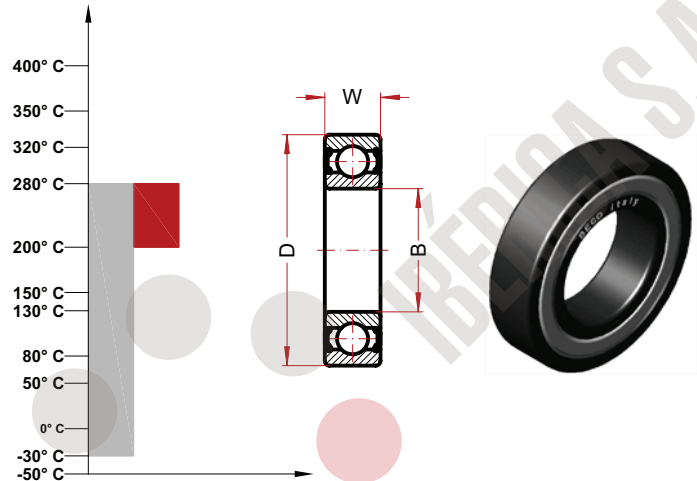
### BHTS ZZ 280° (61900 Serie)

MAX TEMP CELSIUS 280° C

MAX TEMP FAHRENHEIT 535° F

SUGGESTED RANGE 200-280° C

SUGGESTED RANGE 392-535° F



Designation	Bore (B)	Diam (D)	Widht (W)	Weight g	Speed RPM/min (*)	Static Load kN
61900 BHTS ZZ 280°	10	22	6	10	2240	
61901 BHTS ZZ 280°	12	24	6	11	2080	
61902 BHTS ZZ 280°	15	28	7	16	1920	
61903 BHTS ZZ 280°	17	30	7	18	1760	
61904 BHTS ZZ 280°	20	37	9	38	1600	
61905 BHTS ZZ 280°	25	37	7	22	1360	
61906 BHTS ZZ 280°	30	47	9	51	1040	
61907 BHTS ZZ 280°	35	55	10	80	880	
61908 BHTS ZZ 280°	40	62	12	120	800	
61909 BHTS ZZ 280°	45	68	12	140	720	
61910 BHTS ZZ 280°	50	72	12	160	680	
61911 BHTS ZZ 280°	55	80	13	190	600	
61912 BHTS ZZ 280°	60	85	13	200	560	
61913 BHTS ZZ 280°	65	90	13	220	504	
61914 BHTS ZZ 280°	70	100	16	350	480	
61915 BHTS ZZ 280°	75	105	16	370	448	

Static load and max speed are calculated for the maximum temperature of application we supply this technical information only for help customer in the choice. Due the extremely difference in the condition of application. We suggest to the customer to contact our engineering service and made pratical test for check in the real condition the pratical working.

## Ball bearing for high temperature

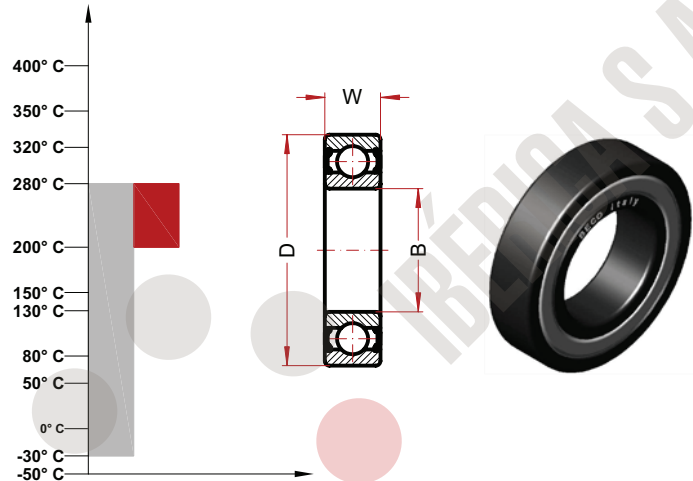
### BHTS ZZ 280° (6000 Serie)

MAX TEMP CELSIUS 280° C

MAX TEMP FAHRENHEIT 535° F

SUGGESTED RANGE 200-280° C

SUGGESTED RANGE 392-535° F



Designation	Bore (B)	Diam (D)	Widht (W)	Weight g	Speed RPM/min (*)	Static Load kN
6000 BHTS ZZ 280°	10	26	8	20	2240	1.34
6001 BHTS ZZ 280°	12	28	8	25	2080	1.61
6002 BHTS ZZ 280°	15	32	9	30	1920	1.94
6003 BHTS ZZ 280°	17	35	10	40	1760	2.21
6004 BHTS ZZ 280°	20	42	12	69	1600	3.40
6005 BHTS ZZ 280°	25	47	12	80	1360	3.98
6006 BHTS ZZ 280°	30	55	13	120	1040	5.44
6007 BHTS ZZ 280°	35	62	14	160	880	7.07
6008 BHTS ZZ 280°	40	68	15	190	800	8
6009 BHTS ZZ 280°	45	75	16	250	720	9.73
6010 BHTS ZZ 280°	50	80	16	260	680	10.61
6011 BHTS ZZ 280°	55	90	18	390	600	14.42
6012 BHTS ZZ 280°	60	95	18	420	560	15.80
6013 BHTS ZZ 280°	65	100	18	440	504	17
6014 BHTS ZZ 280°	70	110	20	600	480	21.42
6015 BHTS ZZ 280°	75	115	20	640	448	23.12
6016 BHTS ZZ 280°	80	125	22	850	400	26
6017 BHTS ZZ 280°	85	130	22	890	380	27.9
6018 BHTS ZZ 280°	90	140	24	1150	360	32.5
6019 BHTS ZZ 280°	95	145	24	1200	340	35.1
6020 BHTS ZZ 280°	100	150	24	1250	300	35.1

Static load and max speed are calculated for the maximum temperature of application we supply this technical information only for help customer in the choice. Due the extremely difference in the condition of application. We suggest to the customer to contact our engineering service and made pratical test for check in the real condition the pratical working.

## Ball bearing for high temperature

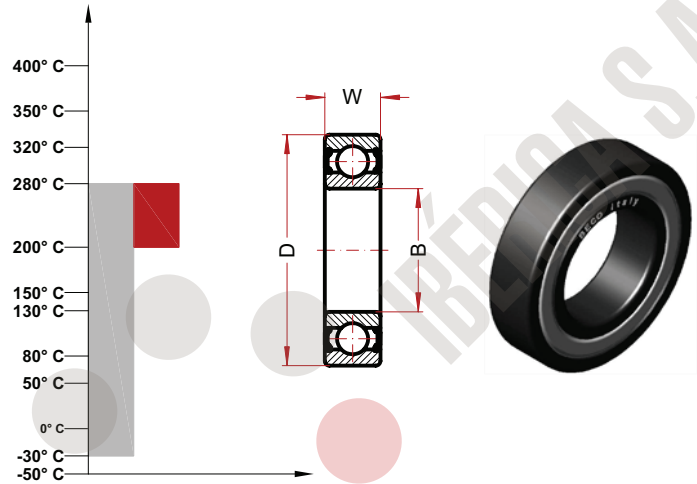
### BHTS ZZ 280° (6200 Serie)

MAX TEMP CELSIUS 280° C

MAX TEMP FAHRENHEIT 535° F

SUGGESTED RANGE 200-280° C

SUGGESTED RANGE 392-535° F



Designation	Bore (B)	Diam (D)	Widht (W)	Weight g	Speed RPM/min (*)	Static Load kN
6200 BHTS ZZ 280°	10	30	9	30	2080	1.77
6201 BHTS ZZ 280°	12	32	10	37	1920	2.11
6202 BHTS ZZ 280°	15	35	11	45	1600	2.55
6203 BHTS ZZ 280°	17	40	12	65	1440	3.23
6204 BHTS ZZ 280°	20	47	14	110	1200	4.46
6205 BHTS ZZ 280°	25	52	15	130	1120	5.44
6206 BHTS ZZ 280°	30	62	16	200	880	7.62
6207 BHTS ZZ 280°	35	72	17	290	760	10
6208 BHTS ZZ 280°	40	80	18	370	680	12.24
6209 BHTS ZZ 280°	45	85	19	410	640	13.87
6210 BHTS ZZ 280°	50	90	20	460	600	16.3
6211 BHTS ZZ 280°	55	100	21	610	536	19.88
6212 BHTS ZZ 280°	62	110	22	780	480	24.48
6213 BHTS ZZ 280°	65	120	23	990	424	28.22
6214 BHTS ZZ 280°	70	125	24	1040	400	29.92
6215 BHTS ZZ 280°	75	130	25	1210	384	33.32
6216 BHTS ZZ 280°	80	140	26	1400	350	35.7
6217 BHTS ZZ 280°	85	150	28	1800	330	41.6
6218 BHTS ZZ 280°	90	160	30	2150	310	43.7
6219 BHTS ZZ 280°	95	170	32	2600	300	52.9
6220 BHTS ZZ 280°	100	180	34	3150	290	60.4

Static load and max speed are calculated for the maximum temperature of application we supply this technical information only for help customer in the choice. Due the extremely difference in the condition of application. We suggest to the customer to contact our engineering service and made pratical test for check in the real condition the pratical working.

## Ball bearing for high temperature

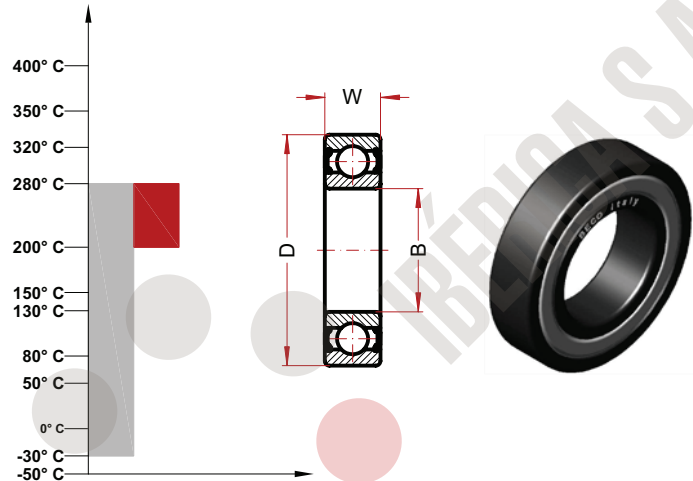
### BHTS ZZ 280° (6300 Serie)

MAX TEMP CELSIUS 280° C

MAX TEMP FAHRENHEIT 535° F

SUGGESTED RANGE 200-280° C

SUGGESTED RANGE 392-535° F



Designation	Bore (B)	Diam (D)	Widht (W)		Speed RPM/min (*)	Static Load kN
6300 BHTS ZZ 280°	10	35	11	52	1760	2.34
6301 BHTS ZZ 280°	12	37	12	60	1600	2.82
6302 BHTS ZZ 280°	15	42	13	80	1440	3.67
6303 BHTS ZZ 280°	17	47	14	120	1280	4.46
6304 BHTS ZZ 280°	20	52	15	140	1120	5.78
6305 BHTS ZZ 280°	25	62	17	225	880	7.75
6306 BHTS ZZ 280°	30	72	19	350	760	11
6307 BHTS ZZ 280°	35	80	21	450	680	12.92
6308 BHTS ZZ 280°	40	90	23	620	600	17
6309 BHTS ZZ 280°	45	100	25	830	536	21.76
6310 BHTS ZZ 280°	50	110	27	1050	480	25
6311 BHTS ZZ 280°	55	120	29	1350	424	32.30
6312 BHTS ZZ 280°	60	130	31	1700	400	35.36
6313 BHTS ZZ 280°	65	140	33	2100	360	40.8
6314 BHTS ZZ 280°	70	150	35	2500	344	46
6315 BHTS ZZ 280°	75	160	37	3000	320	52
6316 BHTS ZZ 280°	80	170	39	3600	300	56.2
6317 BHTS ZZ 280°	85	180	41	4250	290	62.7
6318 BHTS ZZ 280°	90	190	43	4900	270	70.2
6319 BHTS ZZ 280°	95	200	45	5650	250	76.7
6320 BHTS ZZ 280°	100	215	47	7000	230	91

Static load and max speed are calculated for the maximum temperature of application we supply this technical information only for help customer in the choice. Due the extremely difference in the condition of application. We suggest to the customer to contact our engineering service and made pratical test for check in the real condition the pratical working.

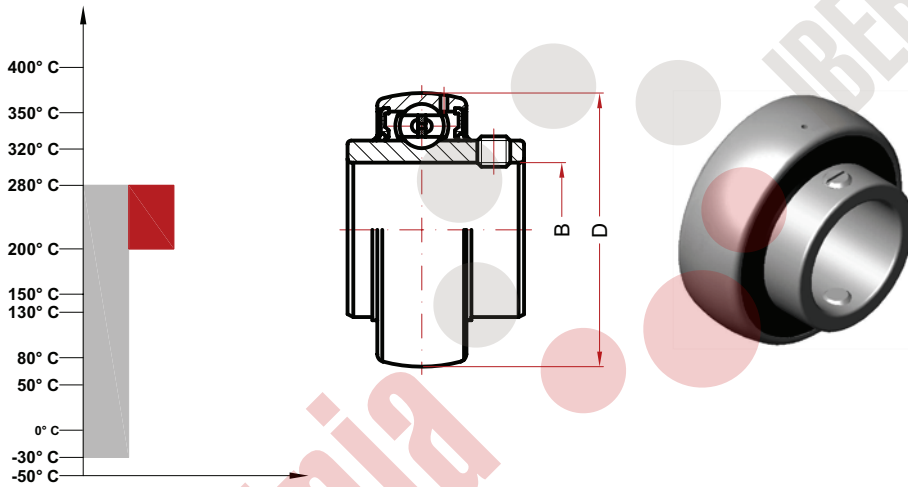
# BECO Italy

## Ball bearing for high temperature

### BHTS ZZ 280° (UC Serie)

MAX TEMP CELSIUS 280° C  
 MAX TEMP FAHRENHEIT 535° F

SUGGESTED RANGE 200-280° C  
 SUGGESTED RANGE 392-535° F



Designation	Bore (B)	Diam (D)	Speed RPM/min (*)
UC 201 BHTS ZZ 280°	12	40	1440
UC 202 BHTS ZZ 280°	15	40	1440
UC 203 BHTS ZZ 280°	17	40	1440
UC 204 BHTS ZZ 280°	20	47	1200
UC 205 BHTS ZZ 280°	25	52	1120
UC 206 BHTS ZZ 280°	30	62	880
UC 207 BHTS ZZ 280°	35	72	760
UC 208 BHTS ZZ 280°	40	80	680
UC 209 BHTS ZZ 280°	45	85	640
UC 210 BHTS ZZ 280°	50	90	600
UC 211 BHTS ZZ 280°	55	100	536
UC 212 BHTS ZZ 280°	60	110	480
UC 213 BHTS ZZ 280°	65	120	424
UC 214 BHTS ZZ 280°	70	125	400
UC 215 BHTS ZZ 280°	75	130	384

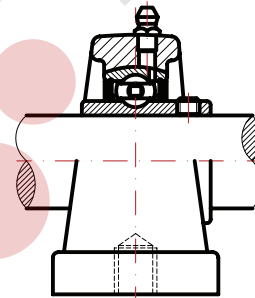
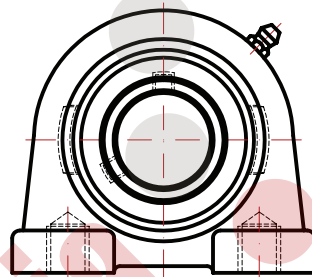
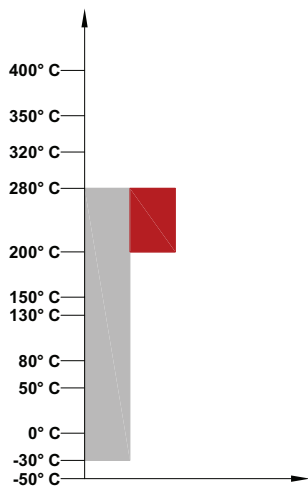
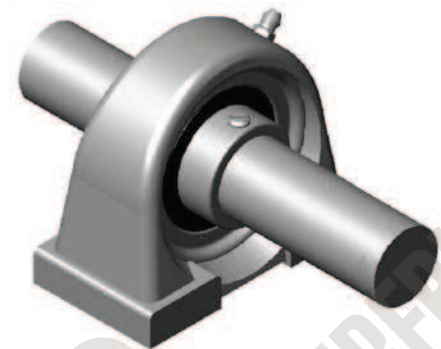


## Ball bearing for high temperature

### BHTS ZZ 280° (UCPA Serie)

MAX TEMP CELSIUS 280° C  
 MAX TEMP FAHRENHEIT 535° F

SUGGESTED RANGE 200-280° C  
 SUGGESTED RANGE 392-535° F



Unit code	Bearing code	Housing code
UCPA 201 BHTS ZZ 280°	UC 201 BHTS ZZ 280°	SS PA 201
UCPA 202 BHTS ZZ 280°	UC 202 BHTS ZZ 280°	SS PA 202
UCPA 203 BHTS ZZ 280°	UC 203 BHTS ZZ 280°	SS PA 203
UCPA 204 BHTS ZZ 280°	UC 204 BHTS ZZ 280°	SS PA 204
UCPA 205 BHTS ZZ 280°	UC 205 BHTS ZZ 280°	SS PA 205
UCPA 206 BHTS ZZ 280°	UC 206 BHTS ZZ 280°	SS PA 206
UCPA 207 BHTS ZZ 280°	UC 207 BHTS ZZ 280°	SS PA 207
UCPA 208 BHTS ZZ 280°	UC 208 BHTS ZZ 280°	SS PA 208
UCPA 209 BHTS ZZ 280°	UC 209 BHTS ZZ 280°	SS PA 209
UCPA 210 BHTS ZZ 280°	UC 210 BHTS ZZ 280°	SS PA 210
UCPA 211 BHTS ZZ 280°	UC 211 BHTS ZZ 280°	SS PA 211
UCPA 212 BHTS ZZ 280°	UC 212 BHTS ZZ 280°	SS PA 212
UCPA 213 BHTS ZZ 280°	UC 213 BHTS ZZ 280°	SS PA 213
UCPA 214 BHTS ZZ 280°	UC 214 BHTS ZZ 280°	SS PA 214
UCPA 215 BHTS ZZ 280°	UC 215 BHTS ZZ 280°	SS PA 215

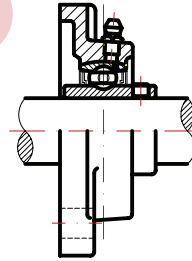
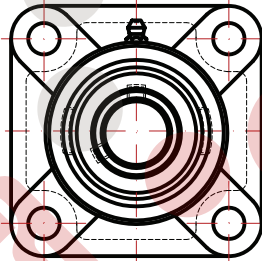
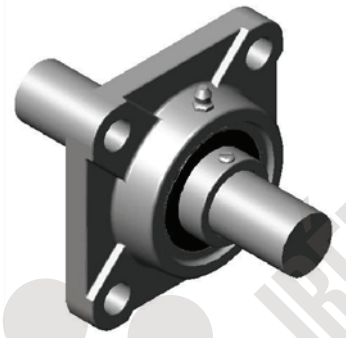
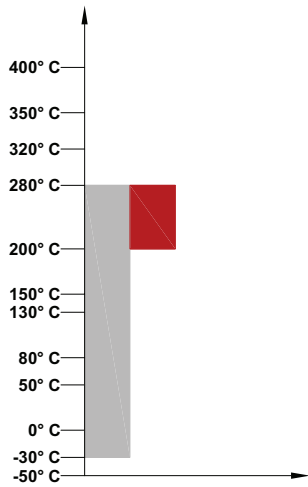
Static load and max speed are calculated for the maximum temperature of application we supply this technical information only for help customer in the choice. Due the extremely difference in the condition of application. We suggest to the customer to contact our engineering service and made practical test for check in the real condition the practical working.

## Ball bearing for high temperature

### BHTS ZZ 280° (UCF Serie)

MAX TEMP CELSIUS 280° C  
 MAX TEMP FAHRENHEIT 535° F

SUGGESTED RANGE 200-280° C  
 SUGGESTED RANGE 392-535° F



Unit code	Bearing code	Housing code
UCF 201 BHTS ZZ 280°	UC 201 BHTS ZZ 280°	SS F 201
UCF 202 BHTS ZZ 280°	UC 202 BHTS ZZ 280°	SS F 202
UCF 203 BHTS ZZ 280°	UC 203 BHTS ZZ 280°	SS F 203
UCF 204 BHTS ZZ 280°	UC 204 BHTS ZZ 280°	SS F 204
UCF 205 BHTS ZZ 280°	UC 205 BHTS ZZ 280°	SS F 205
UCF 206 BHTS ZZ 280°	UC 206 BHTS ZZ 280°	SS F 206
UCF 207 BHTS ZZ 280°	UC 207 BHTS ZZ 280°	SS F 207
UCF 208 BHTS ZZ 280°	UC 208 BHTS ZZ 280°	SS F 208
UCF 209 BHTS ZZ 280°	UC 209 BHTS ZZ 280°	SS F 209
UCF 210 BHTS ZZ 280°	UC 210 BHTS ZZ 280°	SS F 210
UCF 211 BHTS ZZ 280°	UC 211 BHTS ZZ 280°	SS F 211
UCF 212 BHTS ZZ 280°	UC 212 BHTS ZZ 280°	SS F 212
UCF 213 BHTS ZZ 280°	UC 213 BHTS ZZ 280°	SS F 213
UCF 214 BHTS ZZ 280°	UC 214 BHTS ZZ 280°	SS F 214
UCF 215 BHTS ZZ 280°	UC 215 BHTS ZZ 280°	SS F 215

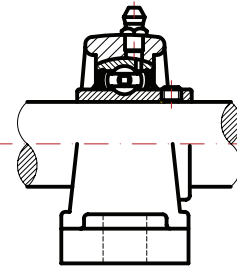
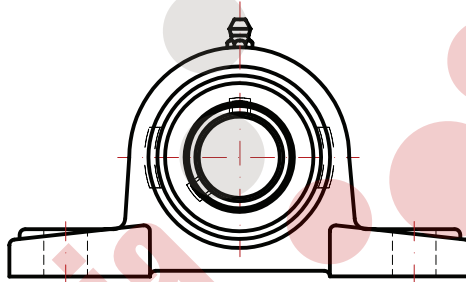
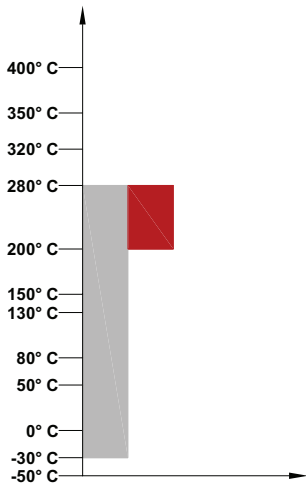
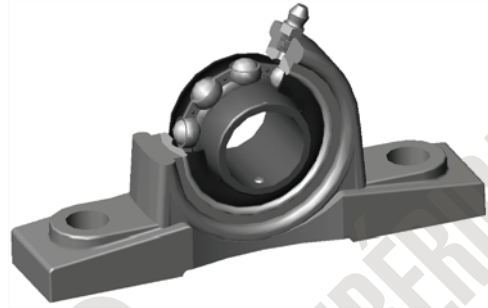
Static load and max speed are calculated for the maximum temperature of application we supply this technical information only for help customer in the choice. Due the extremely difference in the condition of application. We suggest to the customer to contact our engineering service and made practical test for check in the real condition the practical working.

## Ball bearing for high temperature

### BHTS ZZ 280° (UCP Serie)

MAX TEMP CELSIUS 280° C  
 MAX TEMP FAHRENHEIT 535° F

SUGGESTED RANGE 200-280° C  
 SUGGESTED RANGE 392-535° F



Unit code	Bearing code	Housing code
UCP 201 BHTS ZZ 280°	UC 201 BHTS ZZ 280°	SS P 201
UCP 202 BHTS ZZ 280°	UC 202 BHTS ZZ 280°	SS P 202
UCP 203 BHTS ZZ 280°	UC 203 BHTS ZZ 280°	SS P 203
UCP 204 BHTS ZZ 280°	UC 204 BHTS ZZ 280°	SS P 204
UCP 205 BHTS ZZ 280°	UC 205 BHTS ZZ 280°	SS P 205
UCP 206 BHTS ZZ 280°	UC 206 BHTS ZZ 280°	SS P 206
UCP 207 BHTS ZZ 280°	UC 207 BHTS ZZ 280°	SS P 207
UCP 208 BHTS ZZ 280°	UC 208 BHTS ZZ 280°	SS P 208
UCP 209 BHTS ZZ 280°	UC 209 BHTS ZZ 280°	SS P 209
UCP 210 BHTS ZZ 280°	UC 210 BHTS ZZ 280°	SS P 210
UCP 211 BHTS ZZ 280°	UC 211 BHTS ZZ 280°	SS P 211
UCP 212 BHTS ZZ 280°	UC 212 BHTS ZZ 280°	SS P 212
UCP 213 BHTS ZZ 280°	UC 213 BHTS ZZ 280°	SS P 213
UCP 214 BHTS ZZ 280°	UC 214 BHTS ZZ 280°	SS P 214
UCP 215 BHTS ZZ 280°	UC 215 BHTS ZZ 280°	SS P 215

Static load and max speed are calculated for the maximum temperature of application we supply this technical information only for help customer in the choice. Due the extremely difference in the condition of application. We suggest to the customer to contact our engineering service and made practical test for check in the real condition the practical working.